

VICINITY MAP

SCALE IN MILES



VICINITY

AREA MAP

GENERAL NOTES

1. STRUCTURES SHALL BE MARKED/LIGHTED IN ACCORDANCE WITH U.S. COAST GUARD REGULATIONS.
2. ALL ELEVATIONS REFER TO M.L.L.W. UNLESS NOTED OTHERWISE.

COUNTY: NUECES, TX
 LATITUDE: 27°49'08" N
 LONGITUDE: 97°12'26" W

JOSEPH E. JACQUAT, PE
 TX PE #80883
 LANIER & ASSOCIATES
 CONSULTING ENGINEERS, INC.

10870-P01

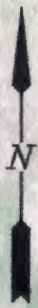


LANIER & ASSOCIATES
 CONSULTING ENGINEERS
 INCORPORATED
 LA: C-1120 F-2981
 NEW ORLEANS, LA BEAUMONT, TX

INGLESIDE	MODA	TEXAS
GOMEZ MARINE FACILITY WEST BASIN DEEPENING PROJECT VICINITY MAP		

DATE	NOV '18
DESIGN	ARF
DRAWN	JEJ
CHECK	JEJ
CONTRACT	10870
SHEET No.	1 OF 13

J:\100005\10870 MODA GOMEZ INGLESIDE\DRAWINGS\PERMIT\10870-P01.DWG



EXISTING BULKHEAD

EXISTING FINGER PIER

390'

EXISTING EAST SHIP BASIN (-)56.0 MLLW +2' O.D.

EXISTING WEST SHIP BASIN (-)56.0 MLLW +2' O.D.

PORT OF CORPUS BULKHEAD LIMIT LINE

EDGE OF CHANNEL

310'

250'

250'

CENTER OF CHANNEL

EDGE OF CHANNEL

530+00

520+00

510+00

EXISTING SITE PLAN

1"=400'



10870-P02

J:\100005\10870 MODA GOMEZ INGLESIDE\DRAWINGS\PERMIT\10870-P02.DWG



LANIER & ASSOCIATES
CONSULTING ENGINEERS
INCORPORATED

LA: C-1120 F-2981
NEW ORLEANS, LA BEAUMONT, TX

INGLESIDE

MODA

TEXAS

**GOMEZ MARINE FACILITY
WEST BASIN DEEPENING PROJECT
EXISTING SITE PLAN**

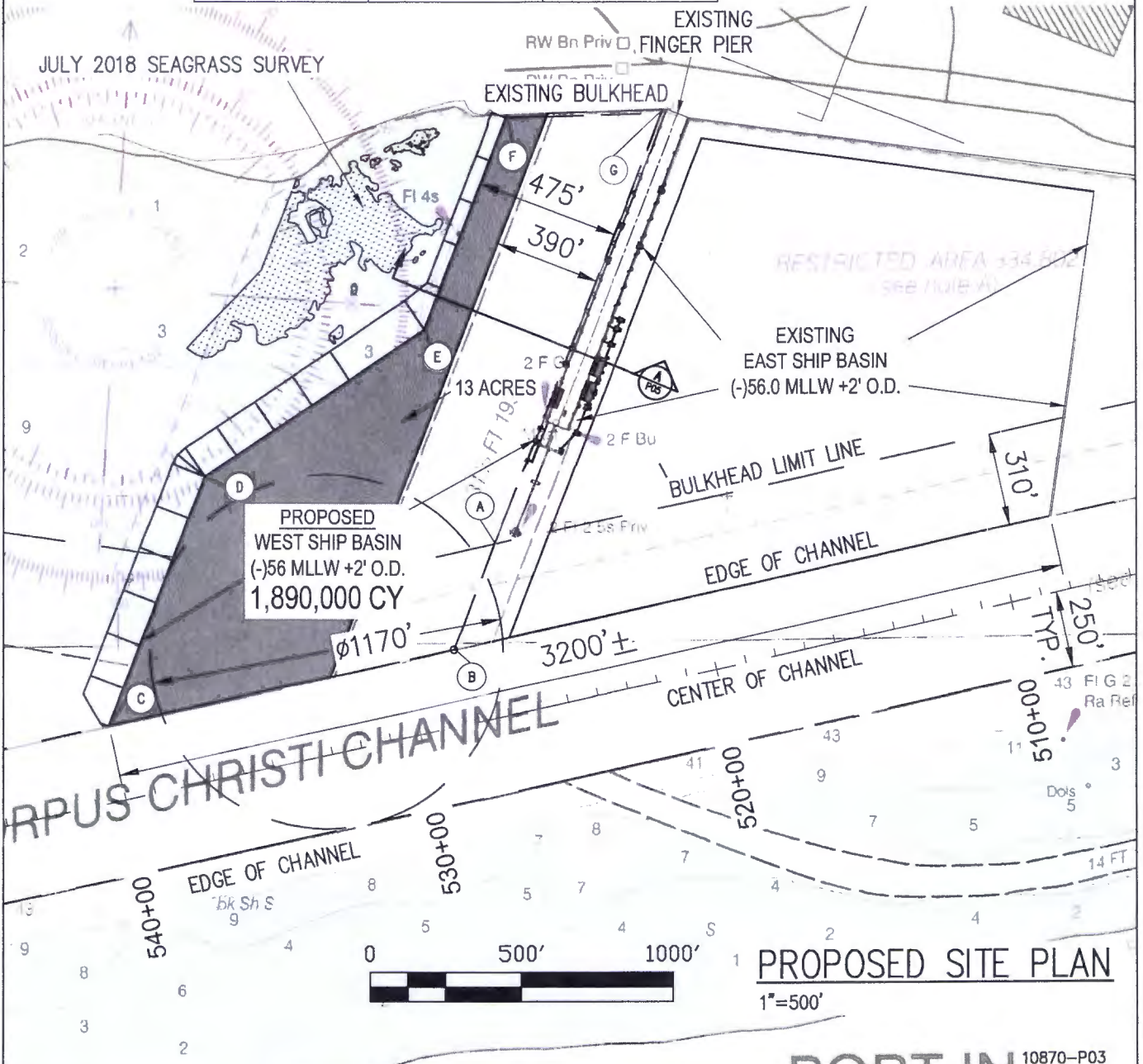
DATE NOV '18
DESIGN ARF
DRAWN JEJ
CHECK JEJ
CONTRACT 10870
SHEET No.

2 OF 13

WEST BASIN CONTROL		
POINT	NORTHING	EASTING
A	17188149.21	1401387.40
B	17187801.08	1401252.50
C	17187548.30	1400106.78
D (LIGHT)	17188373.05	1400426.36
E (LIGHT)	17188860.13	1401153.46
F (LIGHT)	17189567.21	1401427.44
G	17189584.55	1401943.57



JULY 2018 SEAGRASS SURVEY

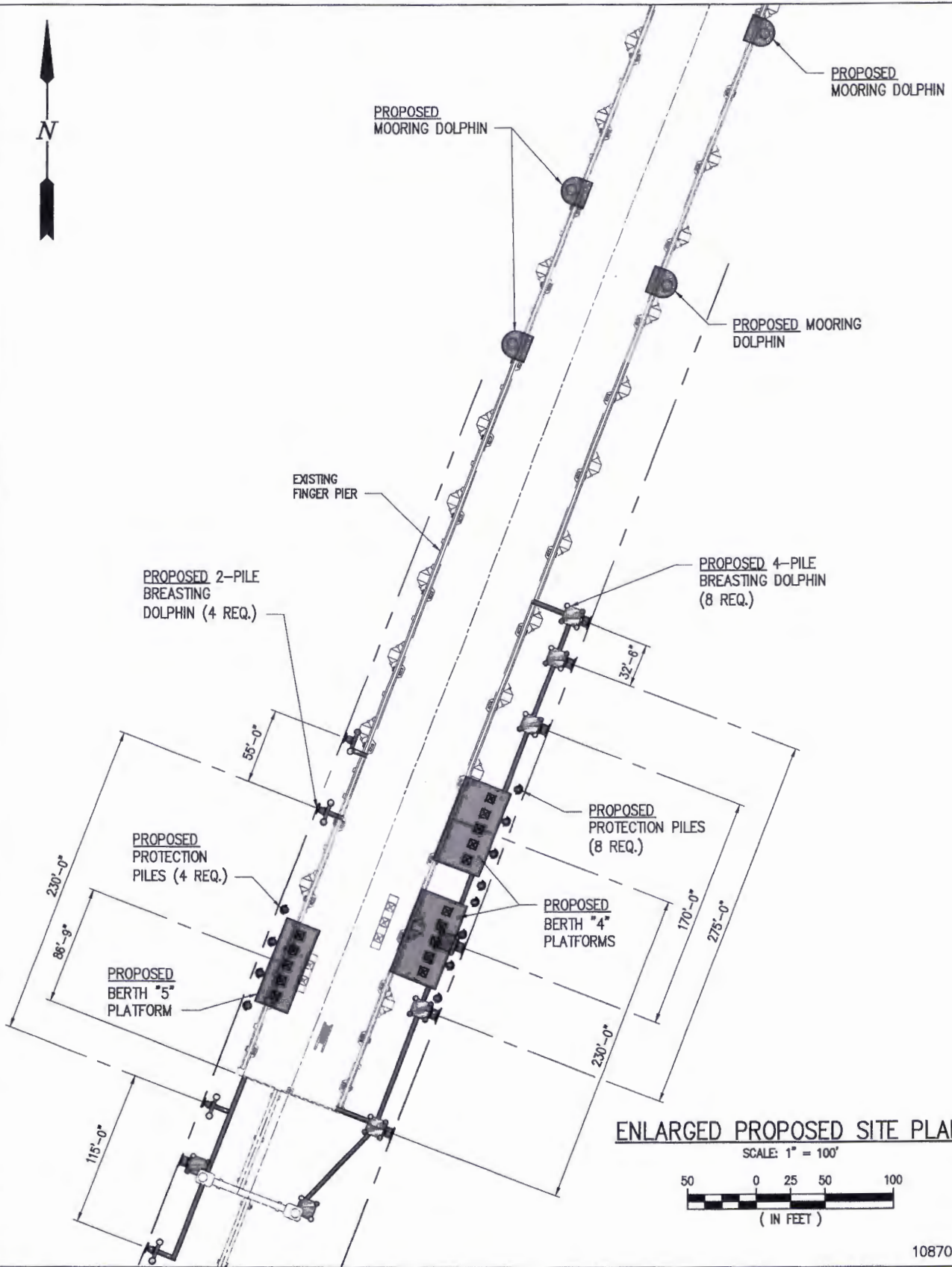


J:\10005\10870 MODA GOMEZ INGLSIDE\DRAWINGS\PERMIT\10870-P03.DWG

LANIER & ASSOCIATES
 CONSULTING ENGINEERS
 INCORPORATED
 LA: C-1120 F-2981
 NEW ORLEANS, LA BEAUMONT, TX

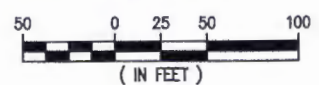
MODA
 INGLSIDE TEXAS
GOMEZ MARINE FACILITY
WEST BASIN DEEPENING PROJECT
PROPOSED SITE PLAN

10870-P03
 DATE NOV '18
 DESIGN ARF
 DRAWN JEJ
 CHECK JEJ
 CONTRACT 10870
 SHEET No.
3 OF 13



ENLARGED PROPOSED SITE PLAN

SCALE: 1" = 100'



10870-P04

J:\100005\10870 MODA GOMEZ INGLESIDE\DRAWINGS\PERMIT\10870-P04.DWG

LANIER & ASSOCIATES
 CONSULTING ENGINEERS
 INCORPORATED
 LA: C-1120 F-2981
 NEW ORLEANS, LA BEAUMONT, TX

INGLESIDE MODA TEXAS

**GOMEZ MARINE FACILITY
 WEST BASIN DEEPENING PROJECT
 ENLARGED PROPOSED SITE PLAN**

DATE	NOV. '18
DESIGN	ARF
DRAWN	MSC
CHECK	JEJ
CONTRACT	10870
SHEET No.	
	4 OF 13



LANIER & ASSOCIATES
 CONSULTING ENGINEERS
 INCORPORATED
 LA: C-1120
 NEW ORLEANS, LA • BEAUMONT, TX
 F-2981

NALEBDE

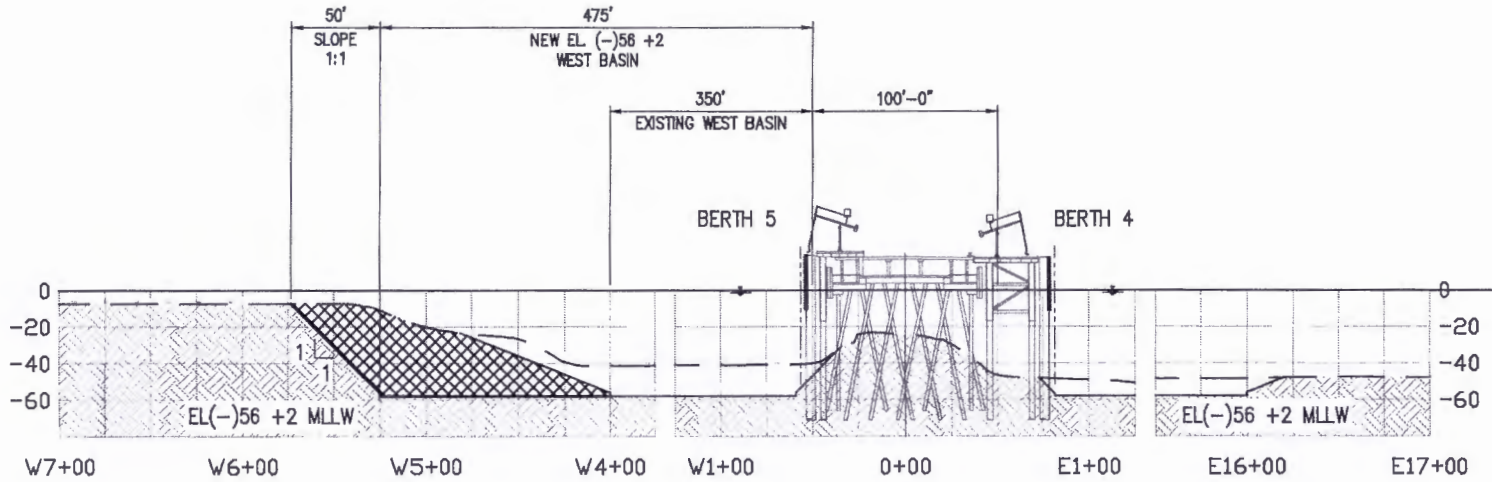
MODA

TEXAS

**GOMEZ MARINE FACILITY
 WEST BASIN DEEPENING PROJECT
 BASIN SECTION**

DATE NOV '18
 DESIGN J.E.J.
 DRAWN J.E.J.
 CHECK ARE
 CONTRACT 10870
 SHEET No.
5 OF **13**

10870-P05



SECTION A
 1"=100' P03

SUG-1945-02221

NOV 26 2018



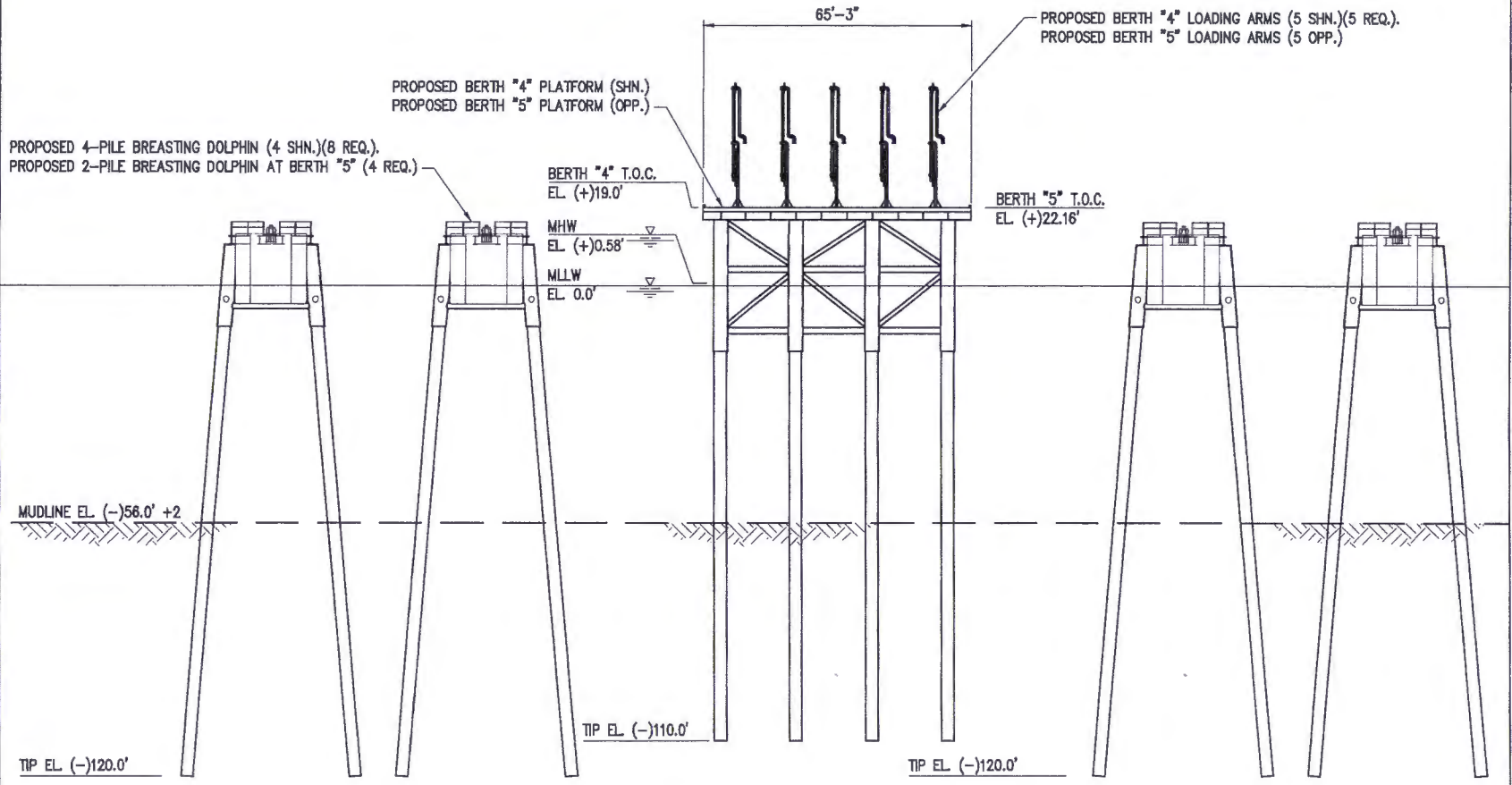
LANIER & ASSOCIATES
 CONSULTING ENGINEERS
 INCORPORATED
 LA: C-1120
 NEW ORLEANS, LA
 F-2981
 BEAUMONT, TX

WEST BASIN DEEPENING PROJECT
PROPOSED PLATFORM-FRONT ELEVATION

INGLESIDE
 MODA
 TEXAS

DATE NOV. '18
 DESIGN J.E.L.
 DRAWN MSC
 CHECK J.E.L.
 CONTRACT 10870
 SHEET No. 6 OF 13

10870-P06



TYPICAL PROPOSED PLATFORM – FRONT ELEVATION

SCALE: 1" = 40'



SWG-1995-02221 NOV 26 2018



LANIER & ASSOCIATES
 CONSULTING ENGINEERS
 INCORPORATED
 F-2981
 BEAUMONT, TX
 LA: C-1120
 NEW ORLEANS, LA

GOMEZ MARINE FACILITY
WEST BASIN DEEPENING PROJECT
PROPOSED PLATFORM-SOUTH ELEVATION

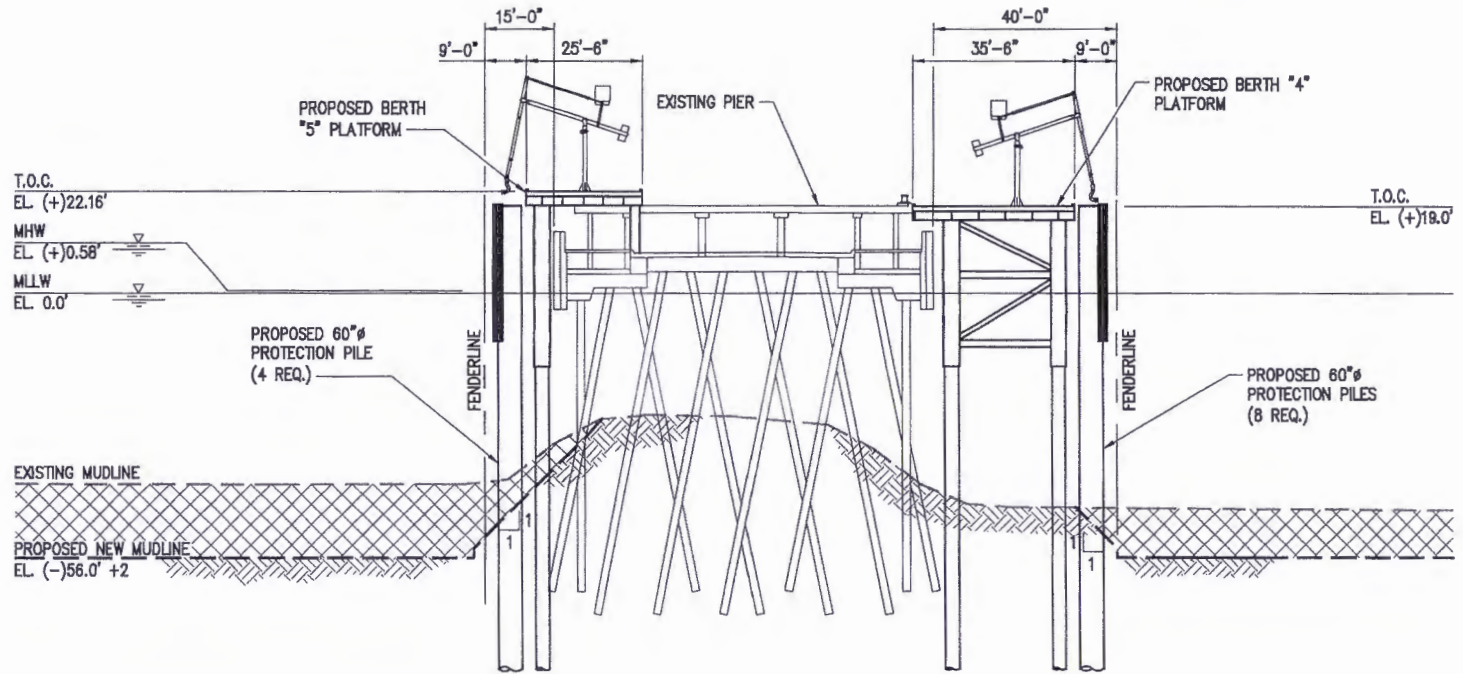
NALEBDE

MODA

TEXAS

10870-P07

DATE NOV '18
 DESIGN J.E.J.
 DRAWN M.S.C.
 CHECK J.E.J.
 CONTRACT 10870
 SHEET No. 7 OF 13



PROPOSED PLATFORM - SOUTH ELEVATION

SCALE: 1" = 40'



SWG-1445-02221 NOV 26 2018



LANIER & ASSOCIATES
 CONSULTING ENGINEERS
 INCORPORATED
 LA: C-11220
 NEW ORLEANS, LA
 F-2981
 BEAUMONT, TX

INGLESIDE

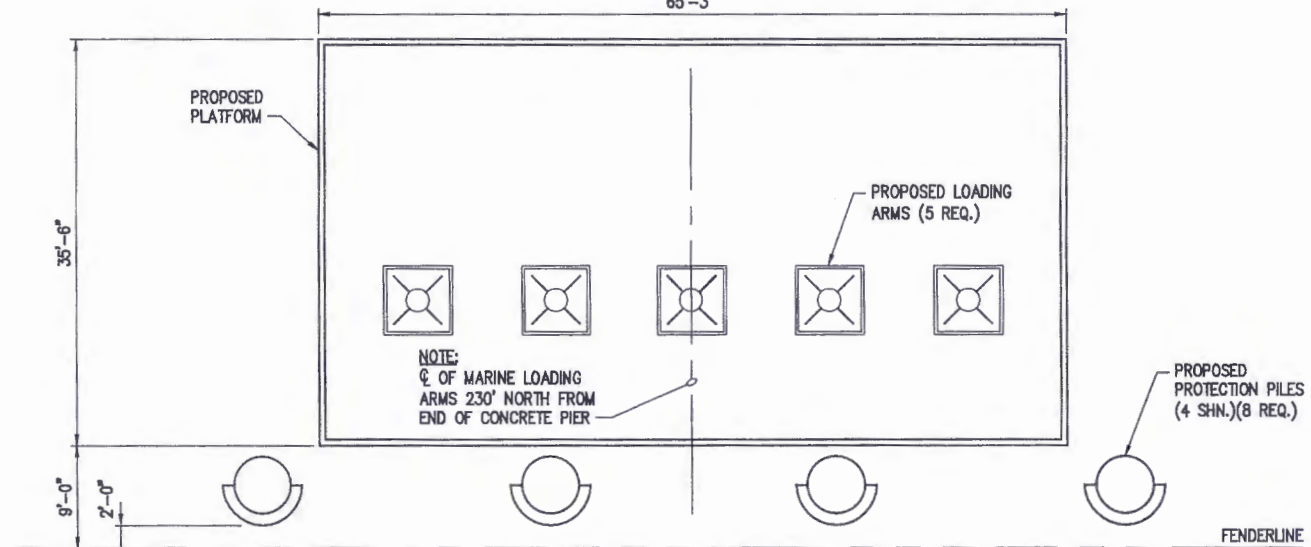
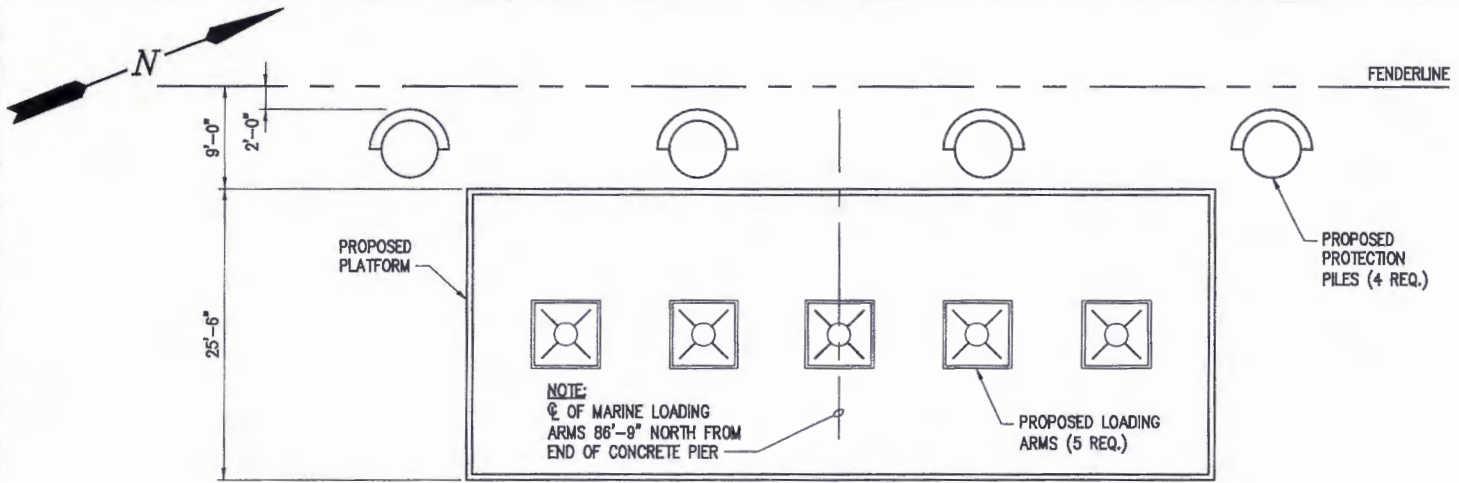
MODA

TEXAS

GOMEZ MARINE FACILITY
WEST BASIN DEEPENING PROJECT
PROPOSED PLATFORM - PLAN

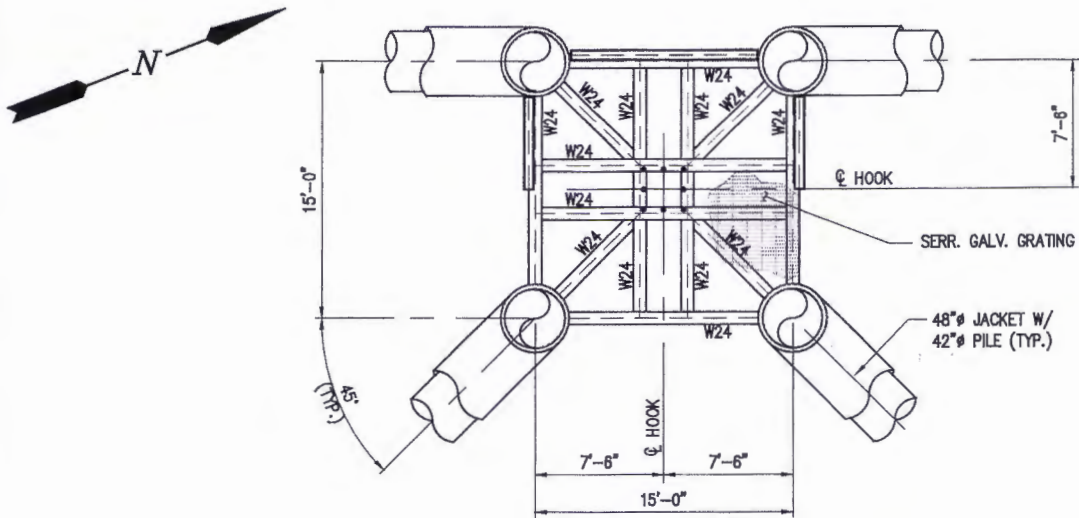
DATE NOV. '18
 DESIGN JEL
 DRAWN MSC
 CHECK JEL
 CONTRACT 10870
 SHEET No. **8**
 OF **13**

10870-P08



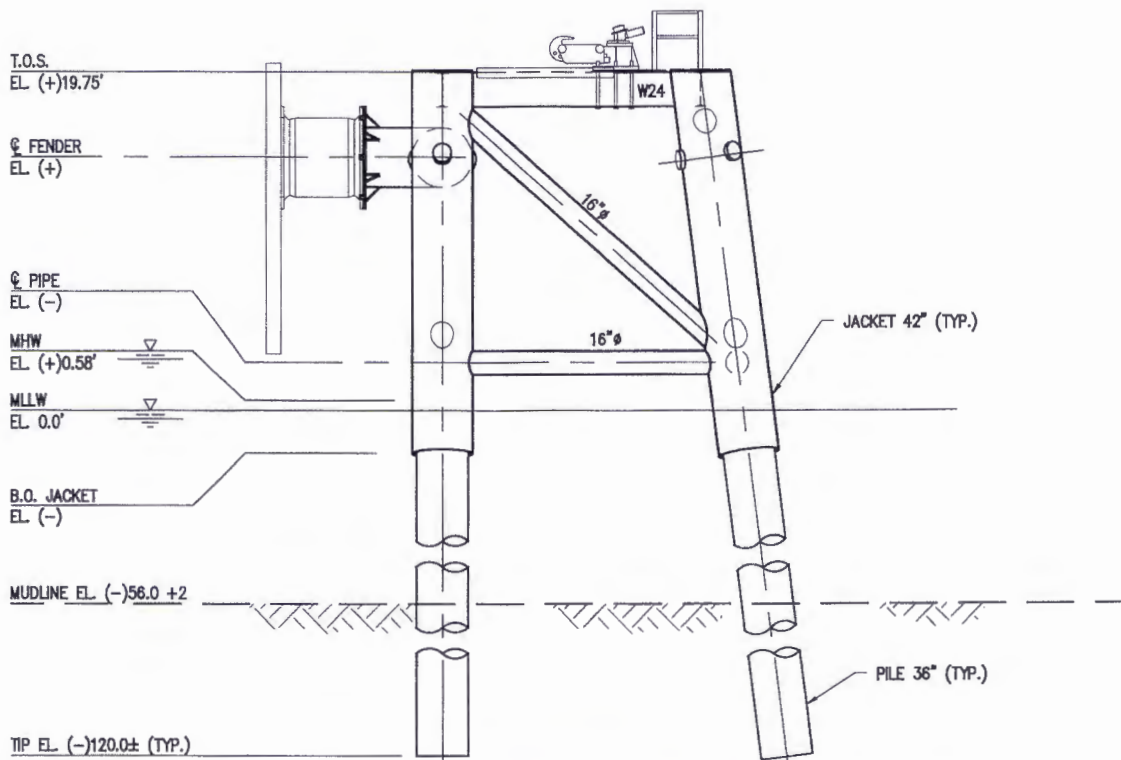
SWG-1995-02221

NOV 26 2018



PROPOSED BERTH "4" BREASTING DOLPHIN - PLAN

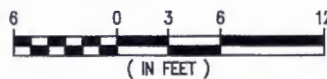
SCALE: 3/32" = 1'-0"



PROPOSED BERTH "4" BREASTING DOLPHIN - ELEVATION

SCALE: 3/32" = 1'-0"

(8 REQ.)



J:\10000s\10870 MODA Gomez Ingleside\Drawings\Permit\10870-P09.dwg

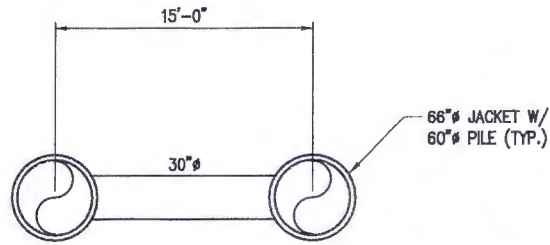
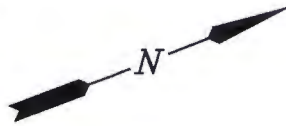
10870-P09



LANIER & ASSOCIATES
 CONSULTING ENGINEERS
 INCORPORATED
 LA: C-1120 F-2981
 NEW ORLEANS, LA BEAUMONT, TX

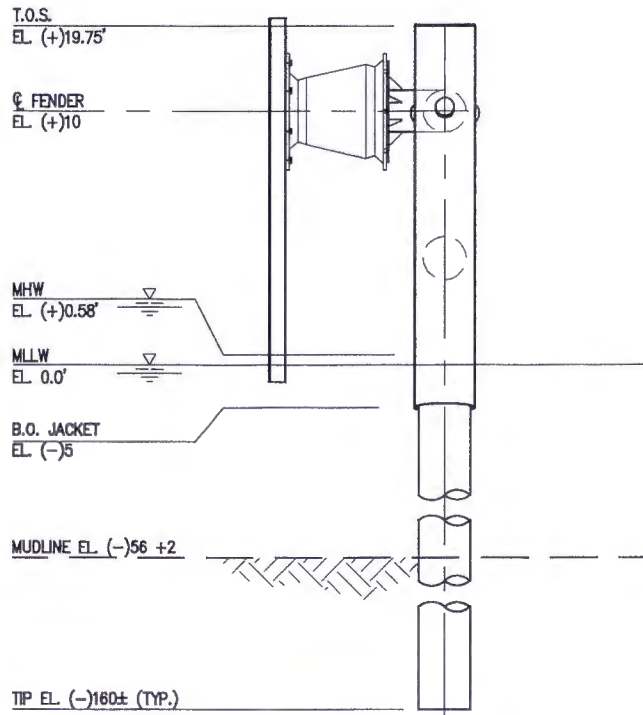
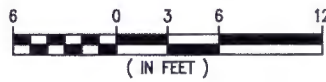
MODA
 INGLESIDE TEXAS
GOMEZ MARINE FACILITY
WEST BASIN DEEPENING PROJECT
PROPOSED BREASTING DOLPHIN

DATE NOV '18
 DESIGN JEJ
 DRAWN MSC
 CHECK JEJ
 CONTRACT 10870
 SHEET No.
9 OF **13**



PROPOSED BERTH "5" BEASTING DOLPHIN – PLAN

SCALE: 3/32" = 1'-0"



PROPOSED BERTH "5" BEASTING DOLPHIN – ELEVATION

SCALE: 3/32" = 1'-0"

(4 REQ.)



10870-P10

J:\10000s\10870 MODA Gomez Ingleside\Drawings\Permit\10870-P10.dwg



LANIER & ASSOCIATES
CONSULTING ENGINEERS
INCORPORATED

LA: C-1120 F-2981
NEW ORLEANS, LA BEAUMONT, TX

INGLESIDE

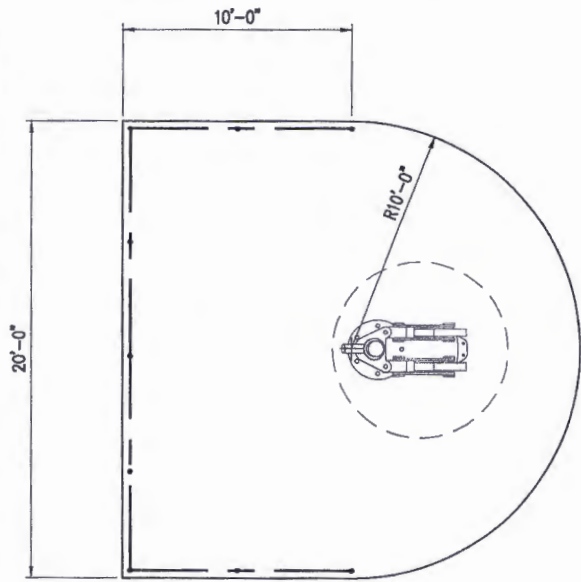
MODA

TEXAS

**GOMEZ MARINE FACILITY
WEST BASIN DEEPENING PROJECT
PROPOSED BEASTING DOLPHIN**

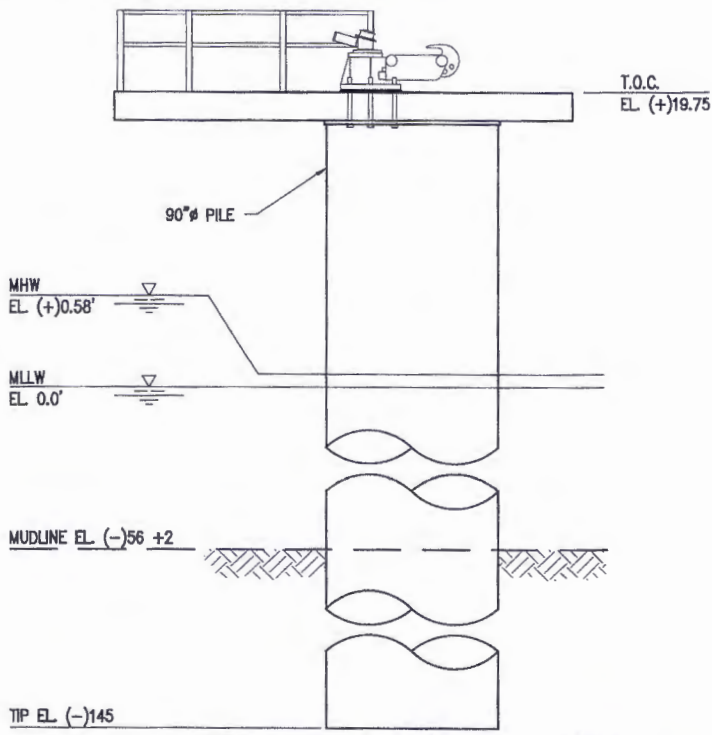
DATE NOV '18
DESIGN JEJ
DRAWN MSC
CHECK JEJ
CONTRACT 10870
SHEET No.

10 OF 13



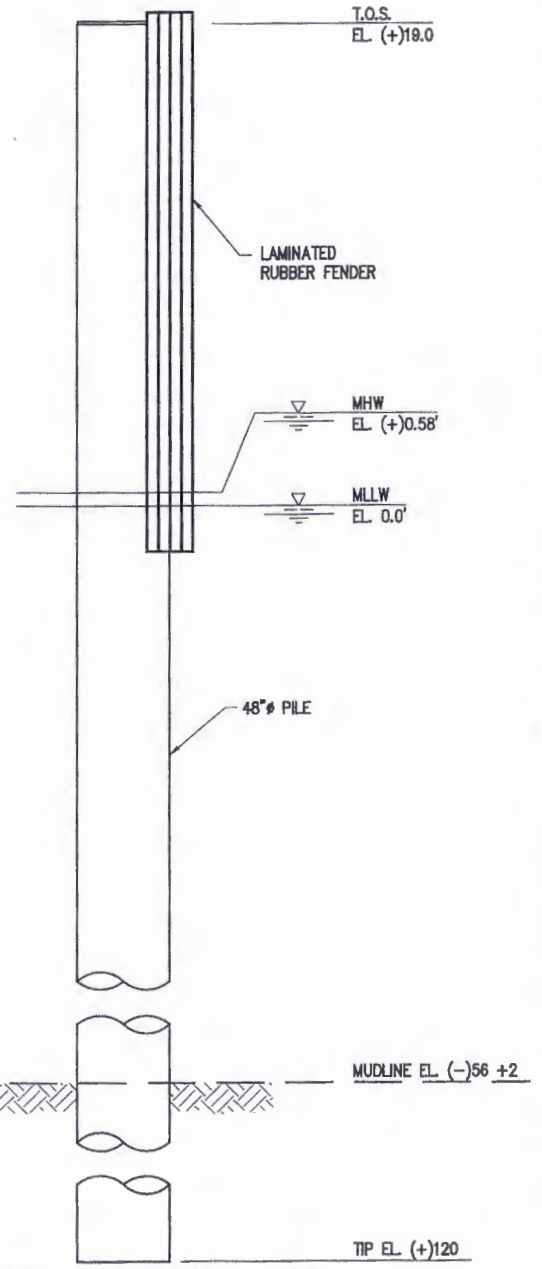
PROPOSED MOORING DOLPHIN - PLAN

SCALE: 1/8" = 1'-0"



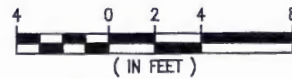
PROPOSED MOORING DOLPHIN ELEVATION (4 REQ.)

SCALE: 1/8" = 1'-0"



PROPOSED PROTECTION PILE ELEVATION (12 REQ.)

SCALE: 1/8" = 1'-0"



J:\10000s\10870 MODA Gomez Ingleside\Drawings\Permit\10870-P11.dwg

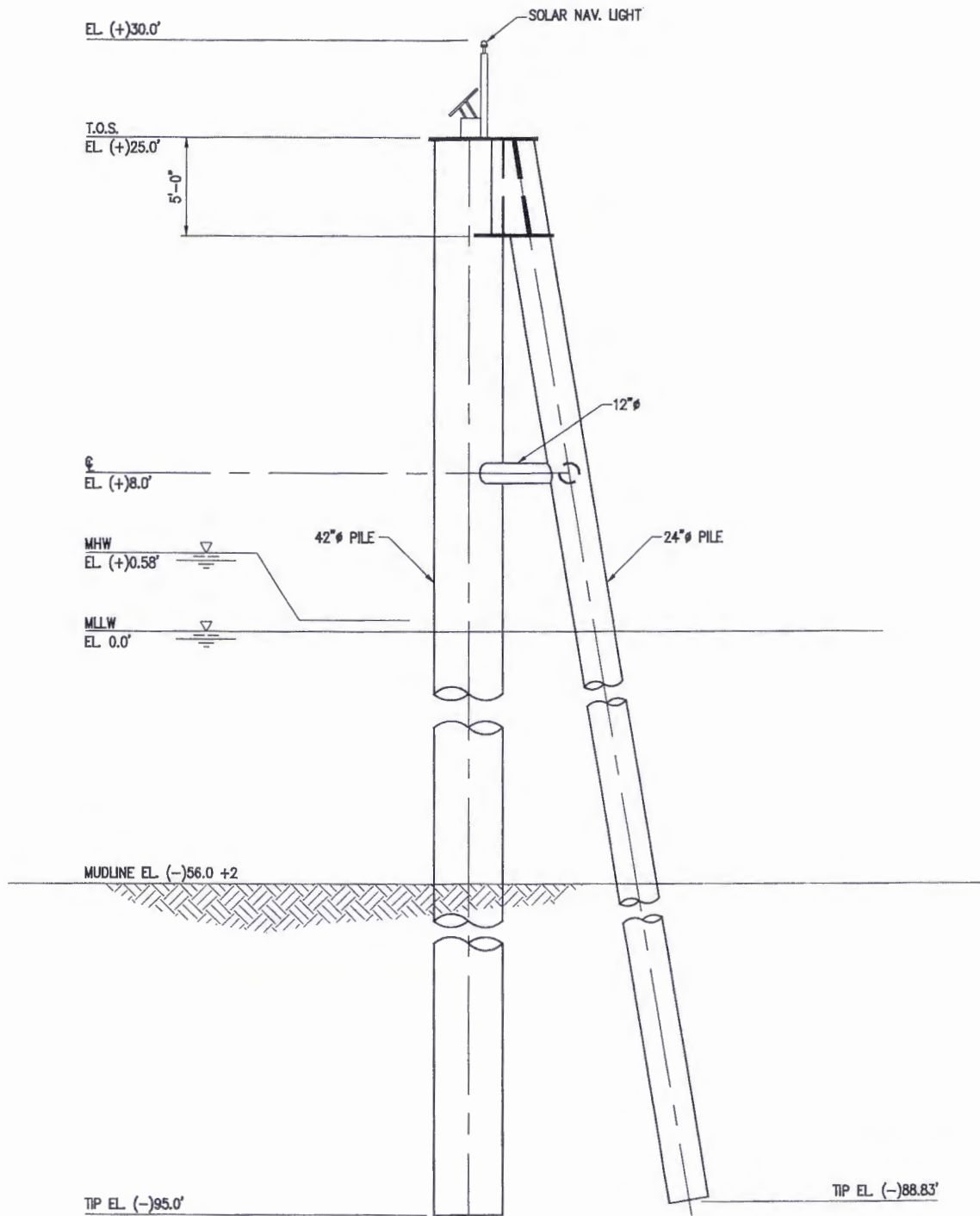
LANIER & ASSOCIATES
 CONSULTING ENGINEERS
 INCORPORATED
 LA: C-1120 F-2981
 NEW ORLEANS, LA BEAUMONT, TX

INGLESIDE MODA TEXAS

**GOMEZ MARINE FACILITY
 WEST BASIN DEEPENING PROJECT
 PROPOSED PROTECTION DOLPHIN**

10870-P11

DATE	NOV '18
DESIGN	JEJ
DRAWN	MSC
CHECK	JEJ
CONTRACT	10870
SHEET No.	
	11 OF 13



PROPOSED NAV. AID TRI DOLPHIN

ELEVATION (3 REQ.)

SCALE: 1/8" = 1'-0"



J:\10000s\10870 MODA Gomez Ingleside\Drawings\Permit\10870-P12.dwg



LANIER & ASSOCIATES
 CONSULTING ENGINEERS
 INCORPORATED
 LA: C-1120 F-2981
 NEW ORLEANS, LA BEAUMONT, TX

INGLESIDE

MODA

TEXAS

GOMEZ MARINE FACILITY
WEST BASIN DEEPENING PROJECT
PROPOSED NAV. AID TRI DOLPHIN

10870-P12

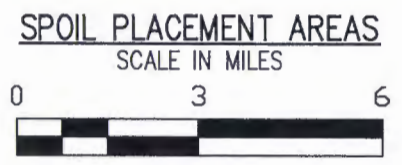
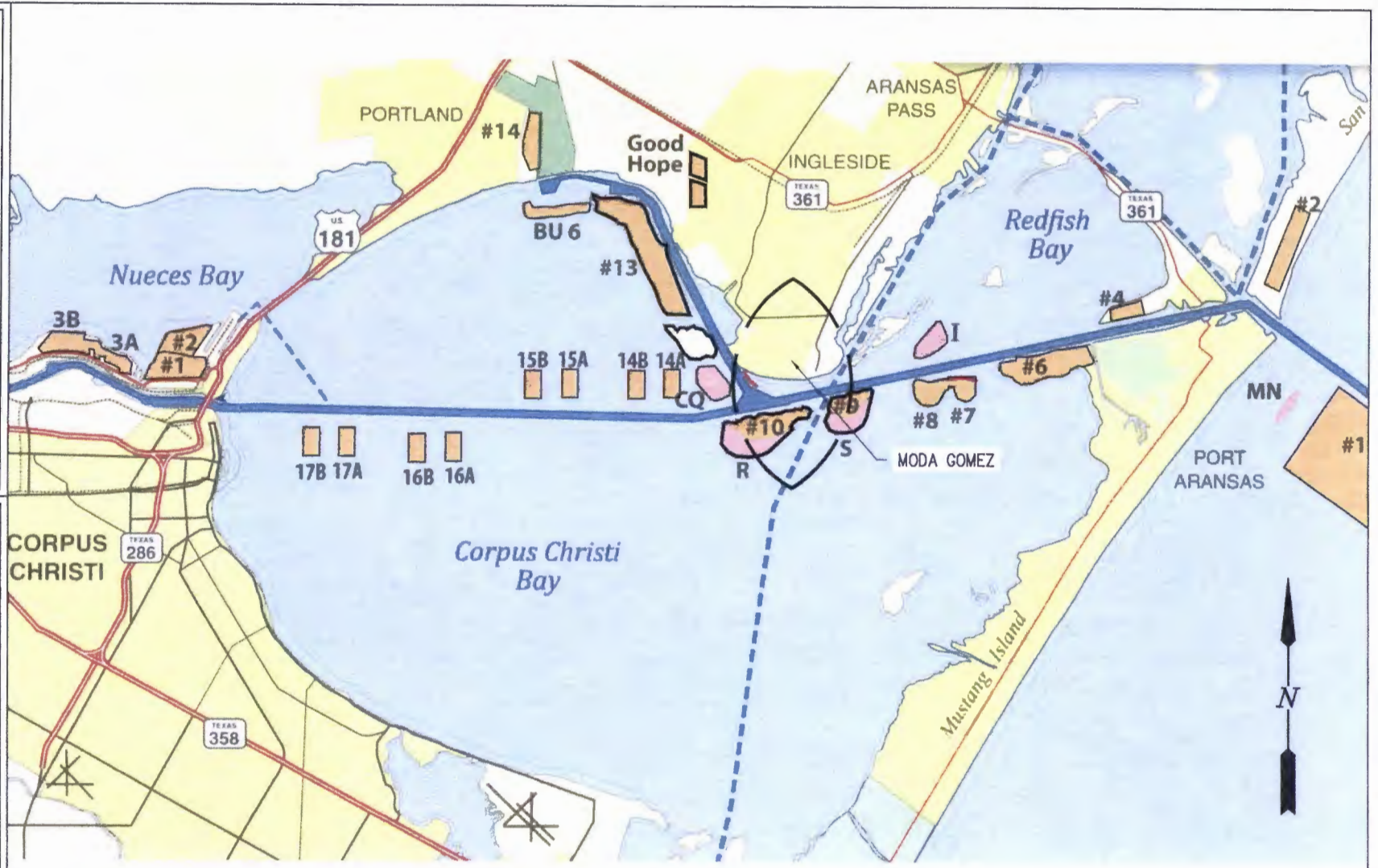
DATE NOV. '18
 DESIGN JEJ
 DRAWN MSC
 CHECK JEJ
 CONTRACT 10870
 SHEET No.

12 OF 13

LANIER & ASSOCIATES
 CONSULTING ENGINEERS
 INCORPORATED
 LA-C-1120
 NEW ORLEANS, LA F-2981
 BEAUMONT, TX

MODA
 GOMEZ MARINE FACILITY
 WEST BASIN DEEPENING PROJECT
 SPOIL PLACEMENT AREAS

DATE NOV. '18
 DESIGN ARE
 DRAWN CAP
 CHECK JJJ
 CONTRACT 10870
 SHEET No.
13 OF **13**



SWG-1995-02221

NOV 26 2018

10870-P13